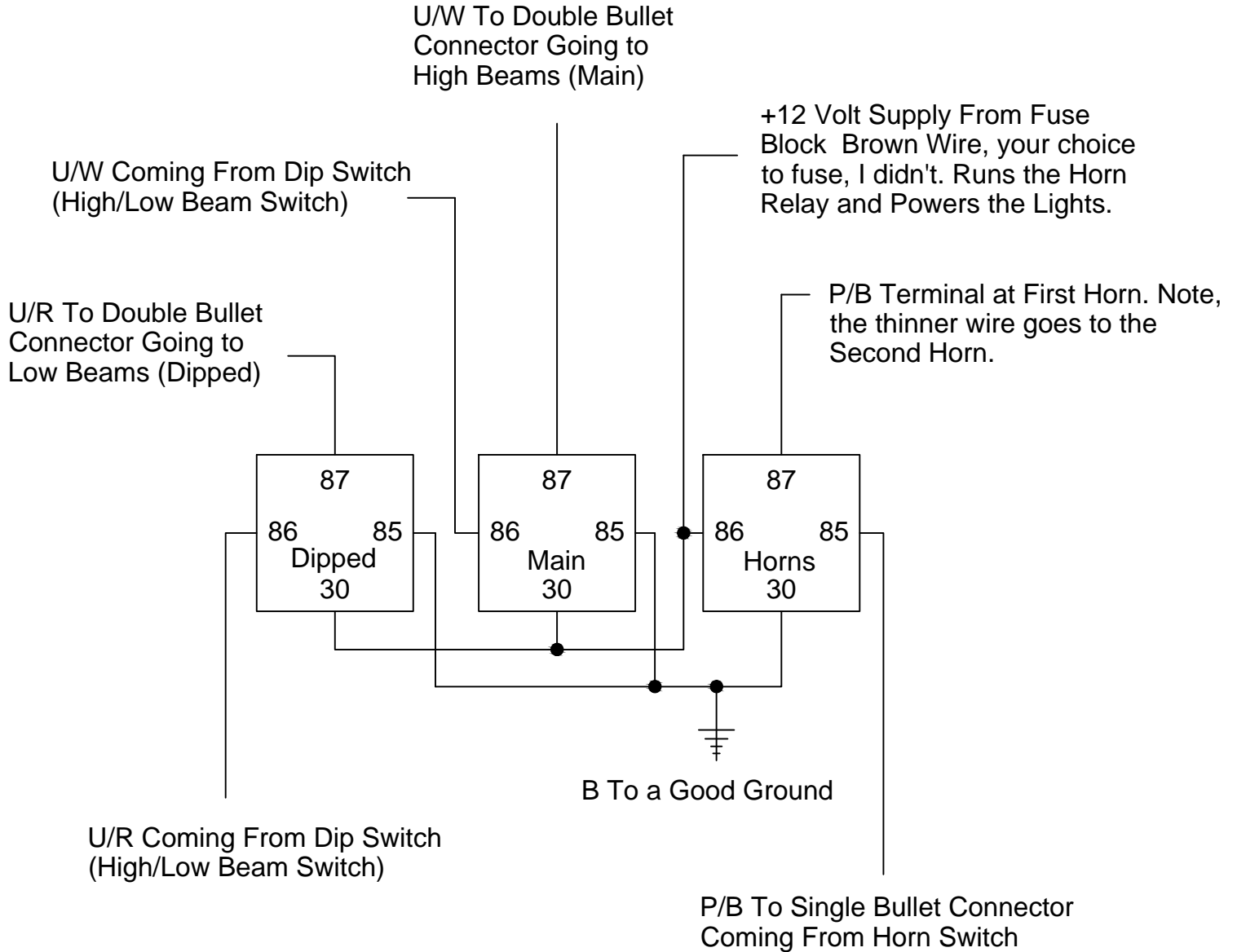


# Wiring Diagram to Add Relays to Head Lamps and to a Negative Switched, Two Wire Horn



## Wiring Code

- U/R Blue Wire with Red Stripe Dipped Beam
- U/W Blue Wire with White Stripe Main Beam
- P Purple Wire Always Hot Unfused
- P/B Purple Wire with Black Stripe Ground Switch
- B Black (ground)